



## Chilled Water Fan Coil Ceiling Concealed Type

Vicot Air Conditioning Co., Ltd

Vicot Group is a high-tech corporation specialized in R&D, production, sales and service of renewable energy products.

The corporation has almost 2000 staff and nine business divisions and/or centers as following: Solar Thermal Energy Equipment Division, Vacuum Tube Division, Gas Fired Air Conditioning Division, Electrical Air Conditioning Division, Domestic Marketing & Sales Division, Export & Import Division, Administrative & Human Resource Center, Company Management Center and General Manager Office.

Our production base locates in Solar City, Dezhou, China, it covers an area of 150,000m<sup>2</sup> with modern workshops and office buildings of more than 80,000m<sup>2</sup>. Annual yield capabilities are as follows: 100,000 electrical AC units; 10,000 gas fired AC units; 200,000m<sup>2</sup> of collectors; 100,000 pieces of tubes; 5,000 standard sets of solar air conditioning system (20kW/ standard set), 200,000 standard sets of S.A.P central hot water system (10T/ standard set), 10,000 standard sets of S.A.P central distributed heating system (40kW/ standard set) and 500 standard sets of solar boiler system (700kW/ standard set). Designed annual production value reaches RMB5billion.

With the mission of "The same breath, energy saving together", the corporation realizes energy saving and environment protection by focusing on effective utilization of solar energy, air source energy, geothermal energy and other renewable energies in cooling, heating and domestic hot water fields, in pursuit of technology innovations in the field of global renewable energy utilization.

After years' practice in geothermal chiller & heat pump, air source chiller and heat pump and floor heating fields, Vicot accumulates rich experience in development and production and reaches a nationally advanced level. With a total investment of RMB 16 million in April 2008, after 3 years' collaboration with more than 20 global universities and research institutes in sequence, Vicot successfully and innovatively launched solar air conditioning system, S.A.P central hot water system, S.A.P central distributed heating system, solar boiler system, having more than 150 patents, large scale production of them has been realized, the past and current scientists and engineers' cherished wish has been realized. It places China at the world top level in solar medium temperature application field, it turns the dream into truth, for solar energy scale application in commercial and industrial field.

In the meantime of developing the technology of world leading new energy product, the corporation is operated with global advanced ERP technique, UPDI\WMS barcode storage system and ABC cost control system. Information, logistics and cash flow are highly integrated, which austere shows its concept of "Quality based on science, Price optimized for customer".



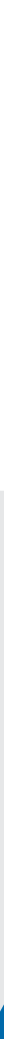
# Contents

Introduction



1

Nomenclature



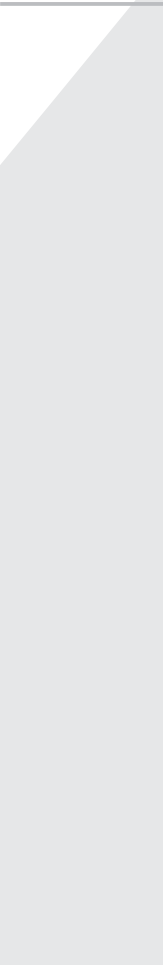
1

Specification



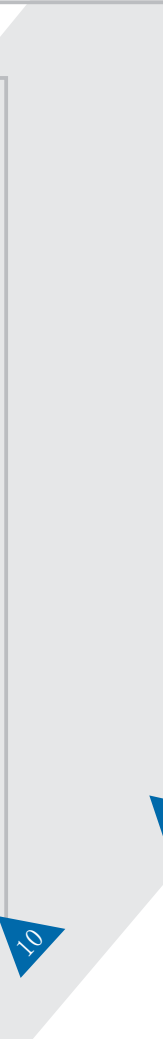
1

Dimension



10

Wiring at site



13



## Introduction

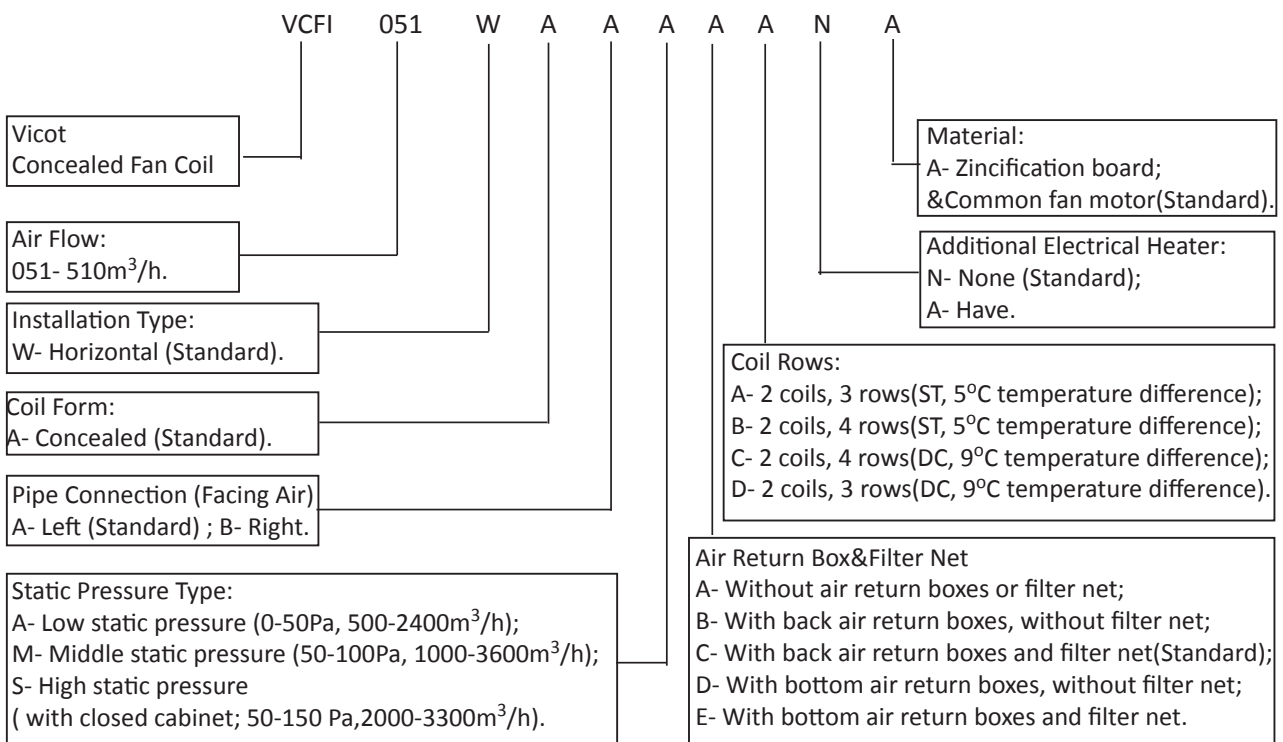
**VCFI Ceiling Concealed Style Fan Coil** is one of the most widely used Air Conditioner.

Being hidden in the ceiling, it facilitates no requirement floor space which thus can be used for other purpose. This system is used along with duct system to cover wider area.

Suitable for various applications that require floor level or individual level air conditioning for buildings where there are many rooms or halls, such as restaurants, concert halls and hotels. Installation is not hindered by the location of lighting fixtures or room structure, and interior renovation is made easy with the installation of various ventilation diffusers.

Light & Compact size, Quiet, Low-cost installation, Efficient operation Capacity ranges: 500m<sup>3</sup>/h~3600m<sup>3</sup>/h.

## Nomenclature



## Specification

Table 1- Low Static Pressure: ST Series (5°C Temp. Diff.)--3 Rows

Model			VCFI051	VCFI068	VCFI102	VCFI136	VCFI170	VCFI204	VCFI238
Performance									
Nominal Air Flow	High	cu. m/h	504	729	1119	1441	1676	2042	2377
		CFM	297	429	659	848	986	1201	1398
	Med	cu. m/h	429	620	952	1225	1425	1735	2021
		CFM	252	365	560	721	838	1021	1188
	Low	cu. m/h	383	555	851	1095	1274	1552	1806
		CFM	225	326	501	644	750	913	1062
Nominal Cooling Capacity	High	kW	3.48	4.23	6.23	7.86	8.83	10.75	13.82
		BTU/H	11882	14430	21248	26808	30118	36671	47162
	Med	kW	3.21	3.98	5.63	7.06	8.10	9.72	12.49
		BTU/H	10955	13569	19196	24094	23829	27239	35909
	Low	kW	2.50	3.09	4.54	5.98	6.98	7.98	10.52
		BTU/H	8539	10557	15489	20387	23829	27239	35909
Nominal Heating Capacity	High	kW	5.22	6.35	9.35	11.79	13.25	16.13	20.73
		BTU/H	17897	21754	32040	40423	45411	55286	71074
	Med	kW	4.82	5.97	8.45	10.59	12.15	14.58	18.74
		BTU/H	16509	20469	28954	36309	41657	49989	64234
	Low	kW	3.75	4.64	6.81	8.97	10.47	11.97	15.78
		BTU/H	12857	15891	23349	30754	35897	41040	54103
Water Flow Rate (High)	cm.m/h	0.61	0.75	1.11	1.37	1.55	1.87	2.43	
	GPM	2.70	3.30	4.85	6.02	6.83	8.25	10.66	
Water Press Drop	kPa	4.80	5.89	15.81	19.89	25.83	27.97	30.14	
	ft.wg	1.58	1.93	5.19	6.53	8.47	9.18	9.89	
Noise	Low	dB(A)	32	28	35	35	35	37	37
	Med	dB(A)	35	33	39	39	40	41	43
	High	dB(A)	42	40	42	44	44	45	48
Coil									
Face Area	sq.m	0.122	0.142	0.189	0.244	0.284	0.325	0.345	
Face Velocity	m/s	1.18	1.47	1.70	1.69	1.69	1.80	1.97	
Motor Type		3-Speed Permanent Split Capacitor Motor							
No. of Motor		1	1	1	2	2	2	3	
Class		B	B	B	B	B	B	B	
Total Rating Input	W	60	70	97	148	178	182	250	
Fan Type		Centrifugal fan(Forward Curve)							
No. of Fans		2	2	2	3	4	4	5	
Water Capacity									
3 Rows	L	0.887	1.036	1.376	1.775	2.071	2.366	2.514	

## Notes:

The performances are based on the following conditions:

Cooling capacity: For 3 rows coils

Entering air temperature DB 27°C , WB 19°C;

Entering chilled water temperature=7°C;

Leaving chilled water temperature=12°C;

Air Flow: Fan Speed-High; 220V~240V/1Ph/50Hz. Under dry coil conditions at 0pa external static pressure.

Noise Level: Sound measured at 1m away from the center of the unit.

## Specification

**Table 2- Low Static Pressure: DC Series (9°C Temp. Diff.)--4 Rows**

Model			VCFI051	VCFI068	VCFI102	VCFI136	VCFI170	VCFI204	VCFI238
Performance									
Nominal Air Flow	High	cu. m/h	686	838	1055	1434	1814	2048	2344
		CFM	404	493	621	843	1067	1205	1379
	Med	cu. m/h	588	719	905	1229	1523	1727	1969
		CFM	345	423	533	723	896	1017	1159
	Low	cu. m/h	462	565	711	965	1213	1397	1562
		CFM	272	332	418	567	720	823	920
Nominal Cooling Capacity	High	kW	2.88	4.05	5.05	7.08	8.22	9.97	10.84
		BTU/H	9826	13824	17250	24173	28026	34036	37006
	Med	kW	2.60	3.38	4.55	6.44	7.39	9.09	10.06
		BTU/H	8870	11518	15489	21976	25219	31011	34222
	Low	kW	1.98	2.71	3.58	5.01	6.12	7.28	8.02
		BTU/H	6751	9233	12212	17111	20884	24855	27370
Nominal Heating Capacity	High	kW	4.32	6.08	7.58	10.62	12.33	14.96	16.26
		BTU/H	14811	20829	25971	36411	42274	51274	55749
	Med	kW	3.90	5.07	6.83	9.66	11.09	13.64	15.09
		BTU/H	13371	17383	23400	33120	38006	46749	51737
	Low	kW	2.97	4.07	5.37	7.52	9.18	10.92	12.03
		BTU/H	10183	13937	18411	25766	31474	37440	41246
Water Flow Rate (High)	cm.m/h	0.29	0.41	0.50	0.71	0.81	0.98	1.07	
	GPM	1.28	1.79	2.20	3.09	3.54	4.33	4.69	
Water Press Drop	kPa	3.63	7.36	11.19	11.69	13.50	17.02	29.42	
	ft.wg	1.19	2.42	3.67	3.83	4.43	5.58	9.65	
Noise	Low	dB(A)	32	28	35	35	35	37	36
	Med	dB(A)	36	34	40	40	40	41	43
	High	dB(A)	40	40	43	44	44	45	48
Coil									
Face Area	sq.m	0.122	0.142	0.189	0.244	0.284	0.325	0.345	
Face Velocity	m/s	1.61	1.69	1.60	1.69	1.69	1.80	1.97	
Motor Type	3-Speed Permanent Split Capacitor Motor								
No. of Motor		1	1	1	2	2	2	3	
Class		B	B	B	B	B	B	B	
Total Rating Input	W	67	75	102	152	196	216	256	
Fan Type	Centrifugal fan (Forward Curve)								
No. of Fans		2	2	2	3	4	4	5	
Water Capacity									
4 Rows	L	1.183	1.381	1.834	2.366	2.761	3.155	3.352	

**Notes:**

The performances are based on the following conditions:

Cooling capacity: For 4 rows coils

Entering air temperature DB 24°C , WB 18°C;

Entering chilled water temperature=5.5°C;

Leaving chilled water temperature=14.5°C;

Air Flow: Fan Speed-High; 220V~240V/1Ph/50Hz. Under dry coil conditions at 0pa external static pressure.

Noise Level: Sound measured at 1m away from the center of the unit.

## Specification

Table 3- Medium Static Pressure: ST Series (5°C Temp. Diff.)--3 Rows

Model			VCFI102	VCFI136	VCFI170	VCFI204	VCFI238	VCFI272	VCFI306	VCFI340
Performance										
Nominal Air Flow	High	cu. m/h	1050	1385	1790	2202	2540	2882	3329	3659
		CFM	618	815	1053	1295	1494	1695	1958	2152
	Med	cu. m/h	903	1191	1539	1894	2184	2479	2863	3147
		CFM	531	701	906	1114	1285	1458	1684	1851
	Low	cu. m/h	725	956	1235	1519	1753	1989	2297	2525
		CFM	426	562	727	894	1031	1170	1351	1485
Nominal Cooling Capacity	High	kW	4.66	6.25	7.82	8.73	10.8	12.16	13.28	15.55
		BTU/H	15900	21325	26682	29787	36850	41490	45311	53057
	Med	kW	4.05	5.44	6.80	7.60	9.40	10.58	11.55	13.53
		BTU/H	13833	18553	23213	25914	32059	36096	39421	46159
	Low	kW	3.15	4.22	5.28	5.89	7.29	8.21	8.96	10.50
		BTU/H	10732	14394	18010	20106	24873	28006	30585	35813
Nominal Heating Capacity	High	kW	8.43	10.85	14.12	16.86	20.28	21.69	24.26	28.23
		BTU/H	28903	37183	48394	57806	69531	74366	83160	96789
	Med	kW	7.41	9.74	12.27	14.82	17.84	19.46	20.97	24.54
		BTU/H	25406	33377	42069	50811	61149	33703	71897	84137
	Low	kW	6.48	8.81	10.49	12.98	15.62	17.63	18.11	20.97
		BTU/H	22217	30189	35949	44486	53537	60429	62074	71897
Water Flow Rate (High)	cm.m/h	0.97	1.24	1.52	1.65	2.12	2.22	2.34	2.85	
	GPM	4.27	5.46	6.69	7.26	9.33	9.77	10.30	12.54	
Water Press Drop	kPa	16.1	17.6	19.6	21.2	23	26.1	30.9	38.4	
	ft.wg	5.28	5.77	6.43	6.95	7.54	8.56	10.13	12.59	
Noise	Low	dB(A)	42	43	44	45	46	47	48	49
	Med	dB(A)	46	47	47	48	50	52	54	55
	High	dB(A)	47	49	50	52	54	56	58	60
Coil										
Face Area	sq.m	0.152	0.183	0.213	0.229	0.274	0.32	0.32	0.381	
Face Velocity	m/s	1.85	1.96	2.32	2.45	2.3	2.2	2.48	2.46	
Motor Type	3-Speed Permanent Split Capacitor Motor									
No. of Motor		1	1	1	1	1	1	1	1	1
Class		B	B	B	B	B	B	B	B	B
Total Rating Input	W	211	234	273	316	354	433	476	4991	
Fan Type	Centrifugal fan(Forward Curve)									
No. of Fans		1	1	1	2	2	2	2	3	

## Notes:

The performances are based on the following conditions:

Cooling capacity: For 4 rows coils

Entering air temperature DB 27°C , WB 19°C;

Entering chilled water temperature=7°C;

Leaving chilled water temperature=12°C;

Air Flow: Fan Speed-High; 220V~240V/1Ph/50Hz. Under dry coil conditions at 50pa external static pressure.

Noise Level: Sound measured at 1m away from the center of the unit.

## Specification

**Table 4-Medium Static Pressure:ST Series (5°C Temp. Diff.)--4 Rows**

Model			VCFI102	VCFI136	VCFI170	VCFI204	VCFI238	VCFI272	VCFI306	VCFI340
Performance										
Nominal Air Flow	High	cu. m/h	1010	1335	1737	2134	2466	2786	3130	3560
		CFM	594	785	1022	1255	1451	1639	1841	2094
	Med	cu. m/h	869	1148	1494	1835	2121	2396	2692	3062
		CFM	511	675	879	1080	1248	1409	1583	1801
	Low	cu. m/h	677	894	1164	1430	1652	1867	2097	2385
		CFM	398	526	685	841	972	1098	1234	1403
Nominal Cooling Capacity	High	kW	5.45	7.32	9.75	11.20	13.50	15.70	17.60	20.42
		BTU/H	18595	24976	33267	38214	46062	53568	60051	69673
	Med	kW	4.69	6.30	8.39	9.63	11.61	13.50	15.14	17.56
		BTU/H	15992	21479	28610	32864	39613	46069	51644	59919
	Low	kW	3.71	4.98	6.63	7.62	9.18	10.68	11.97	13.89
		BTU/H	12645	16984	22622	25986	31322	36427	40835	47378
Nominal Heating Capacity	High	kW	9.69	12.47	16.23	19.38	23.31	24.93	27.89	32.45
		BTU/H	33223	42737	55646	66446	79920	85474	95606	111240
	Med	kW	8.52	11.19	14.10	17.04	20.51	22.37	24.11	28.20
		BTU/H	29211	38366	48343	58423	70303	76680	82646	96686
	Low	kW	7.46	10.13	12.05	14.91	17.96	20.25	20.81	24.11
		BTU/H	25560	34714	41297	51120	61560	69429	71331	82646
Water Flow Rate (High)	cm.m/h	0.94	1.26	1.68	1.93	2.32	2.70	3.03	3.51	
	GPM	4.12	5.54	7.38	8.47	10.21	11.88	13.32	15.45	
Water Press Drop	kPa	20.6	22.5	25.1	27.2	29.5	33.5	39.6	49.2	
	ft.wg	6.75	7.38	8.23	8.92	9.67	10.98	12.98	16.13	
Noise	Low	dB(A)	43	44	45	46	47	48	50	52
	Med	dB(A)	47	48	48	49	51	53	55	56
	High	dB(A)	49	50	51	53	55	58	59	61
Coil										
Face Area	sq.m	0.152	0.183	0.213	0.229	0.274	0.32	0.32	0.381	
Face Velocity	m/s	1.85	2.03	2.27	2.59	2.50	2.42	2.72	2.60	
Motor Type	3-Speed Permanent Split Capacitor Motor									
No. of Motor		1	1	1	1	1	2	2	2	
Class		B	B	B	B	B	B	B	B	
Total Rating Input	W	270	300	350	405	454	555	610	640	
Fan Type	Centrifugal fan(Forward Curve)									
No. of Fans		1	1	1	2	2	2	2	3	

**Notes:**

The performances are based on the following conditions:

Cooling capacity: For 4 rows coils

Entering air temperature DB 27°C , WB 19°C;

Entering chilled water temperature=7°C;

Leaving chilled water temperature=12°C;

Air Flow: Fan Speed-High; 220V~240V/1Ph/50Hz. Under dry coil conditions at 50pa external static pressure.

Noise Level: Sound measured at 1m away from the center of the unit.



## Specification

Table 5- Medium Static Pressure: DC Series (9°C Temp. Diff.)--4 Rows

Model			VCFI102	VCFI136	VCFI170	VCFI204	VCFI238	VCFI272	VCFI306	VCFI340
Performance										
Nominal Air Flow	High	cu. m/h	1010	1335	1737	2134	2466	2786	3230	3560
		CFM	594	785	1022	1255	1451	1639	1900	2094
	Med	cu. m/h	869	1148	1494	1835	2121	2396	2778	3062
		CFM	511	675	879	1083	1248	1409	1634	1801
	Low	cu. m/h	677	894	1164	1430	1652	1867	2164	2385
		CFM	398	526	685	841	972	1098	1273	1403
Nominal Cooling Capacity	High	kW	4.40	5.91	7.88	9.05	10.90	12.68	14.22	16.49
		BTU/H	15021	20174	26872	30868	37207	43270	48507	56279
	Med	kW	3.83	5.14	6.85	7.87	9.49	11.03	12.37	14.35
		BTU/H	13068	17552	23378	26855	32370	37645	42201	48962
	Low	kW	3.13	4.20	5.59	6.42	7.74	9.00	10.09	11.71
		BTU/H	10665	14324	19079	21916	26417	30722	34440	39958
Nominal Heating Capacity	High	kW	7.83	10.07	13.11	15.65	18.83	20.14	22.52	26.21
		BTU/H	26835	34519	44949	53671	64558	69043	77225	89856
	Med	kW	6.89	8.87	11.54	13.77	16.58	17.72	19.82	23.07
		BTU/H	23606	30394	39549	47211	56829	60737	67937	79097
	Low	kW	6.03	7.76	10.10	12.06	14.51	15.65	17.34	20.81
		BTU/H	20674	26589	34611	41349	49731	53640	59451	69171
Water Flow Rate (High)	cm.m/h	0.42	0.56	0.75	0.86	1.04	1.21	1.36	1.58	
	GPM	1.85	2.49	3.31	3.80	4.58	5.33	5.98	6.93	
Water Press Drop	kPa	6.74	7.36	8.21	8.89	9.65	10.95	12.95	16.09	
	ft.wg	2.21	2.41	2.69	2.92	3.16	3.59	4.25	5.27	
Noise	Low	dB(A)	43	44	45	46	47	48	50	52
	Med	dB(A)	47	48	48	49	51	53	55	56
	High	dB(A)	49	50	51	53	55	58	59	61
Coil										
Face Area	sq.m	0.152	0.183	0.213	0.229	0.274	0.32	0.32	0.381	
Face Velocity	m/s	1.85	2.03	2.27	2.59	2.50	2.42	2.80	2.60	
Motor Type	3-Speed Permanent Split Capacitor Motor									
No. of Motor		1	1	1	1	1	2	2	2	
Class		B	B	B	B	B	B	B	B	
Total Rating Input	W	270	300	350	405	454	555	610	640	
Fan Type	Centrifugal fan(Forward Curve)									
No. of Fans		1	1	1	2	2	2	2	3	

## Notes:

The performances are based on the following conditions:

Cooling capacity: For 4 rows coils

Entering air temperature DB 24°C , WB 18°C;

Entering chilled water temperature=5.5°C;

Leaving chilled water temperature=14.5°C;

Air Flow: Fan Speed-High; 220V~240V/1Ph/50Hz. Under dry coil conditions at 50pa external static pressure.

Noise Level: Sound measured at 1m away from the center of the unit.

## Specification

Table 6- High Static Pressure: ST Series (5°C Temp. Diff.)--3 Rows

Model			VCFI204	VCFI238	VCFI272	VCFI306	VCFI340
Performance							
Nominal Air Flow	High	cu. m/h	2043	2377	2708	3062	3308
		CFM	1201	1398	1546	1749	1946
	Med	cu. m/h	1735	2001	2313	2624	2900
		CFM	1020	1188	1361	1543	1706
	Low	cu. m/h	1552	1806	2086	2309	2552
		CFM	913	1062	1227	1358	1502
Nominal Cooling Capacity	High	kW	10.91	12.46	13.39	14.16	16.10
		BTU/H	37109	42381	45544	48163	54940
	Med	kW	9.56	10.55	11.74	12.42	14.16
		BTU/H	32517	35884	39932	42245	48321
	Low	kW	8.29	9.55	10.79	10.96	12.22
		BTU/H	28197	32483	36701	37279	41701
Nominal Heating Capacity	High	kW	16.37	18.69	20.09	21.24	24.15
		BTU/H	56109	64080	68863	72823	82800
	Med	kW	14.34	15.83	17.61	18.63	21.24
		BTU/H	49166	54257	60377	63874	73823
	Low	kW	12.44	14.33	16.19	16.44	18.33
		BTU/H	42634	49114	55491	56366	62846
Water Flow Rate (High)	cm.m/h	1.90	2.18	2.36	2.51	2.86	
	GPM	8.38	9.59	10.38	11.06	12.60	
Water Press Drop	kPa	21.26	24.07	27.20	33.02	37.15	
	ft.wg	6.97	7.89	8.92	10.83	12.19	
Noise	Low	dB(A)	44	46	47	49	51
	Med	dB(A)	48	49	52	54	55
	High	dB(A)	52	54	56	57	59
Coil							
Face Area	sq.m	0.237	0.274	0.329	0.329	0.411	
Face Velocity	m/s	2.47	2.48	2.29	2.59	2.30	
Motor Type	3-Speed Permanent Split Capacitor Motor						
No. of Motor		2	2	2	2	2	
Class		B	B	B	B	B	
Total Rating Input	W	334	396	428	517	710	
Fan Type	Centrifugal fan (Forward Curve)						
No. of Fans		2	2	2	2	2	
Water Capacity							
3 Rows	L	1.99	2.18	2.30	2.30	2.85	

Notes:

The performances are based on the following conditions:

Cooling capacity: For 3 rows coils

Entering air temperature DB 27°C , WB 19°C;

Entering chilled water temperature=7°C;

Leaving chilled water temperature=12°C;

Air Flow: Fan Speed-High; 220V~240V/1Ph/50Hz. Under dry coil conditions at 100pa external static pressure.

Noise Level: Sound measured at 1m away from the center of the unit.

## Specification

Table 7- High Static Pressure: ST Series (5°C Temp. Diff.)--4 Rows

Model			VCFI204	VCFI238	VCFI272	VCFI306	VCFI340
<b>Performance</b>							
Nominal Air Flow	High	cu. m/h	1979	2309	2629	2973	3298
		CFM	1164	1358	1546	1749	1940
	Med	cu. m/h	1682	1962	2313	2624	2900
		CFM	989	1154	1361	1543	1706
	Low	cu. m/h	1504	1756	2086	2309	2552
		CFM	885	980	1227	1358	1502
Nominal Cooling Capacity	High	kW	11.93	14.36	15.36	17.17	19.98
		BTU/H	40709	48983	52392	58580	68178
	Med	kW	10.50	12.63	13.77	14.84	17.36
		BTU/H	35810	43091	46997	50638	59243
	Low	kW	9.19	11.06	12.47	12.81	14.84
		BTU/H	31343	37730	42562	43721	50638
Nominal Heating Capacity	High	kW	17.90	21.54	23.04	25.76	29.97
		BTU/H	61354	73851	78994	88303	102754
	Med	kW	15.75	18.95	20.66	22.26	26.04
		BTU/H	54000	64954	70817	76320	89280
	Low	kW	13.79	16.59	18.71	19.22	22.26
		BTU/H	47263	56880	64131	65880	76320
Water Flow Rate (High)	cm.m/h	2.14	2.52	2.64	2.95	3.43	
	GPM	9.43	11.09	11.61	12.97	15.11	
Water Press Drop	kPa	30.04	31.29	32.01	32.01	55.86	
	ft.wg	9.85	10.26	10.50	10.50	18.32	
Noise	Low	dB(A)	46	47	48	50	52
	Med	dB(A)	49	51	53	55	56
	High	dB(A)	53	55	58	59	61
<b>Coil</b>							
Face Area	sq.m	0.237	0.274	0.329	0.329	0.411	
Face Velocity	m/s	2.39	2.41	2.29	2.59	2.30	
Motor Type	3-Speed Permanent Split Capacitor Motor						
No. of Motor		2	2	2	2	2	
Class		B	B	B	B	B	
Total Rating Input	W	430	476	557	717	910	
Fan Type	Centrifugal fan(Forward Curve)						
No. of Fans		2	2	2	2	2	
<b>Water Capacity</b>							
4 Rows	L	2.66	3.01	3.07	3.07	3.8	

**Notes:**

The performances are based on the following conditions:

Cooling capacity: For 4 rows coils

Entering air temperature DB 27°C , WB 19°C;

Entering chilled water temperature=7°C;

Leaving chilled water temperature=12°C;

Air Flow: Fan Speed-High; 220V~240V/1Ph/50Hz. Under dry coil conditions at 100pa external static pressure.

Noise Level: Sound measured at 1m away from the center of the unit.

## Specification

Table 8- High Static Pressure: DC Series (9°C Temp. Diff.)--4 Rows

Model			VCFI204	VCFI238	VCFI272	VCFI306	VCFI340
Performance							
Nominal Air Flow	High	cu. m/h	1979	2309	2629	2973	3298
		CFM	1164	1358	1546	1749	1940
	Med	cu. m/h	1682	1962	2313	2624	2900
		CFM	989	1154	1361	1543	1706
	Low	cu. m/h	1504	1756	2086	2309	2552
		CFM	885	980	1227	1358	1502
Nominal Cooling Capacity	High	kW	10.02	11.67	12.78	13.83	15.04
		BTU/H	34189	39815	43625	47195	51299
	Med	kW	8.52	9.92	11.25	12.21	12.97
		BTU/H	29060	33852	38393	41652	44249
	Low	kW	7.61	8.87	10.15	10.74	11.30
		BTU/H	25977	30251	34610	36648	38558
Nominal Heating Capacity	High	kW	15.03	17.51	19.17	20.75	22.56
		BTU/H	51531	60017	65726	71126	77349
	Med	kW	12.78	14.88	16.88	18.32	19.46
		BTU/H	43817	51017	57857	62794	66703
	Low	kW	11.42	13.31	15.23	16.11	16.95
		BTU/H	39137	45617	52200	55234	58114
Water Flow Rate (High)	cm.m/h	1.02	1.16	1.28	1.34	1.49	
	GPM	4.48	5.12	5.63	5.90	6.58	
Water Press Drop	kPa	7.87	10.18	11.51	13.19	15.44	
	ft.wg	2.58	3.34	3.78	4.33	5.07	
Noise	Low	dB(A)	46	47	47	49	51
	Med	dB(A)	49	51	52	54	55
	High	dB(A)	53	55	56	57	59
Coil							
Face Area	sq.m	0.237	0.274	0.329	0.329	0.411	
Face Velocity	m/s	2.39	2.41	2.29	2.59	2.30	
Motor Type	3-Speed Permanent Split Capacitor Motor						
No. of Motor		2	2	2	2	2	
Class		B	B	B	B	B	
Total Rating Input	W	430	476	557	717	910	
Fan Type	Centrifugal fan(Forward Curve)						
No. of Fans		2	2	2	2	2	
Water Capacity							
4 Rows	L	2.66	3.01	3.07	3.07	3.8	

Notes:

The performances are based on the following conditions:

Cooling capacity: For 4 rows coils

Entering air temperature DB 24°C , WB 18°C;

Entering chilled water temperature=5.5°C;

Leaving chilled water temperature=14.5°C;

Air Flow: Fan Speed-High; 220V~240V/1Ph/50Hz. Under dry coil conditions at 100pa external static pressure.

Noise Level: Sound measured at 1m away from the center of the unit.

## Dimension

### A- Low Static Pressure

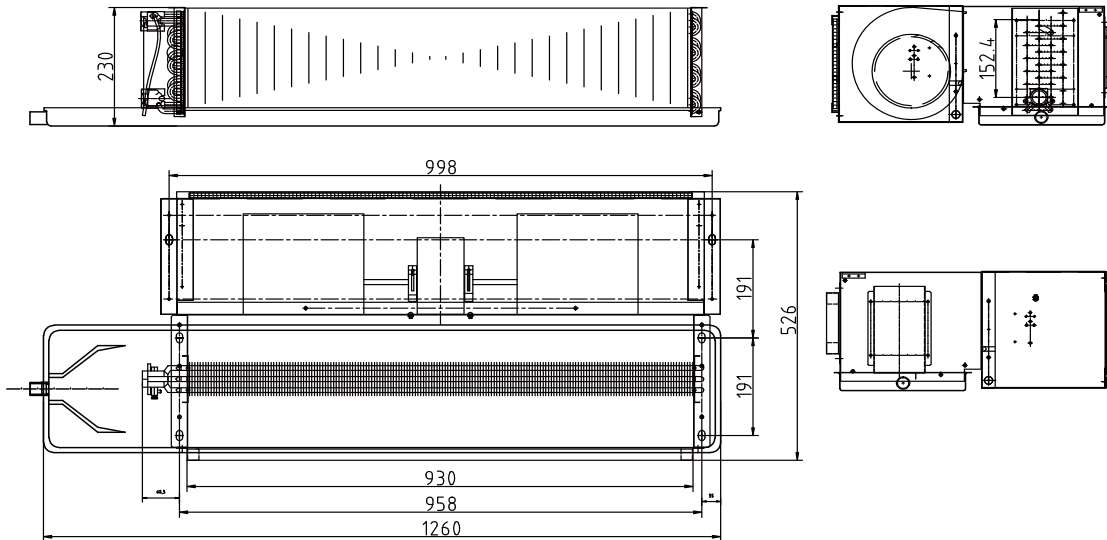


Figure 1

Table 1- 3 rows low static pressure (ST)

No.	Model	Length (mm)					Width (mm)	Height (mm)	Plenum Conn. Dim (mm)	Filter Dim (mm)	Weight (Kg)
		910	628	600	668	640					3 Rows
1	VCFI051	910	628	600	668	640	526	230	600*120	620*183*10	19.5
2	VCFI068	1060	728	700	768	740	526	230	700*120	710*183*10	22.1
3	VCFI102	1260	958	930	1006	970	526	230	930*120	940*183*10	26.3
4	VCFI136	1510	1228	1200	1268	1240	526	230	1200*120	1220*183*10	33.9
5	VCFI170	1710	1428	1400	1468	1440	526	230	1400*120	1410*183*10	38.9
6	VCFI204	1860	1628	1600	1668	1640	526	230	1600*120	1610*183*10	44.2

Table 2- 4 rows low static pressure (DC)

No.	Model	Length (mm)					Width (mm)	Height (mm)	Plenum Conn. Dim (mm)	Filter Dim (mm)	Weight (Kg)
		910	628	600	668	640					4 Rows
1	VCFI051	910	628	600	668	640	526	230	600*120	620*183*10	20.5
2	VCFI068	1060	728	700	768	740	526	230	700*120	710*183*10	23.2
3	VCFI102	1260	958	930	1006	970	526	230	930*120	940*183*10	27.8
4	VCFI136	1510	1228	1200	1268	1240	526	230	1200*120	1220*183*10	35.6
5	VCFI170	1710	1428	1400	1468	1440	526	230	1400*120	1410*183*10	41
6	VCFI204	1860	1628	1600	1668	1640	526	230	1600*120	1610*183*10	46.5

# Dimension

## B- Medium Static Pressure

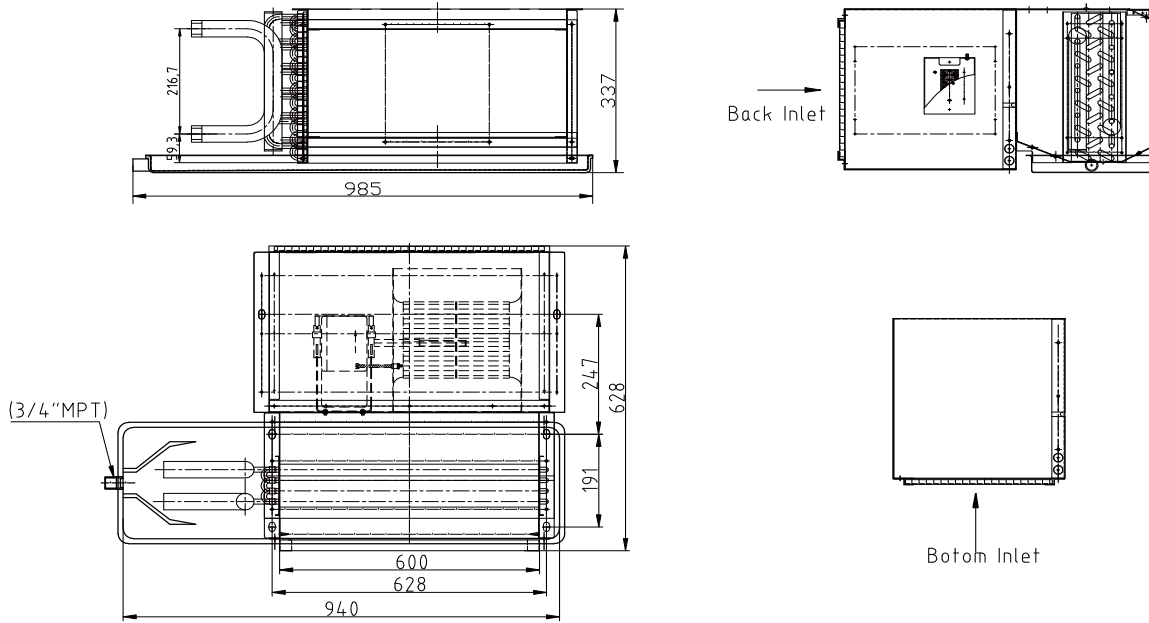


Figure 2

Table 3- 3/4 rows, medium static pressure, with air return boxes and filter net

No.	Model	Length (mm)				Filter Dim (mm)	Width (mm)	Height (mm)	Plenum Conn. Dim (mm)	Weight (Kg)	
		A	B	C	D					4 Rows	3 Rows
1	VCFI102	860	528	500	568	530*283*10	628	337	500	33	32
2	VCFI136	960	628	600	668	630*283*10	628	337	600	34	33
3	VCFI170	1060	728	700	768	710*283*10	628	337	700	36	35
4	VCFI204	1110	778	750	818	760*283*10	628	337	750	42	41
5	VCFI238	1260	928	900	968	910*283*10	628	337	900	46	44
6	VCFI272/306	1410	1078	1050	1118	1060*283*10	628	337	1050	53	52
7	VCFI340	1610	1278	1250	1318	1260*283*10	628	337	1250	63	61

# Dimension

## C- High Static Pressure

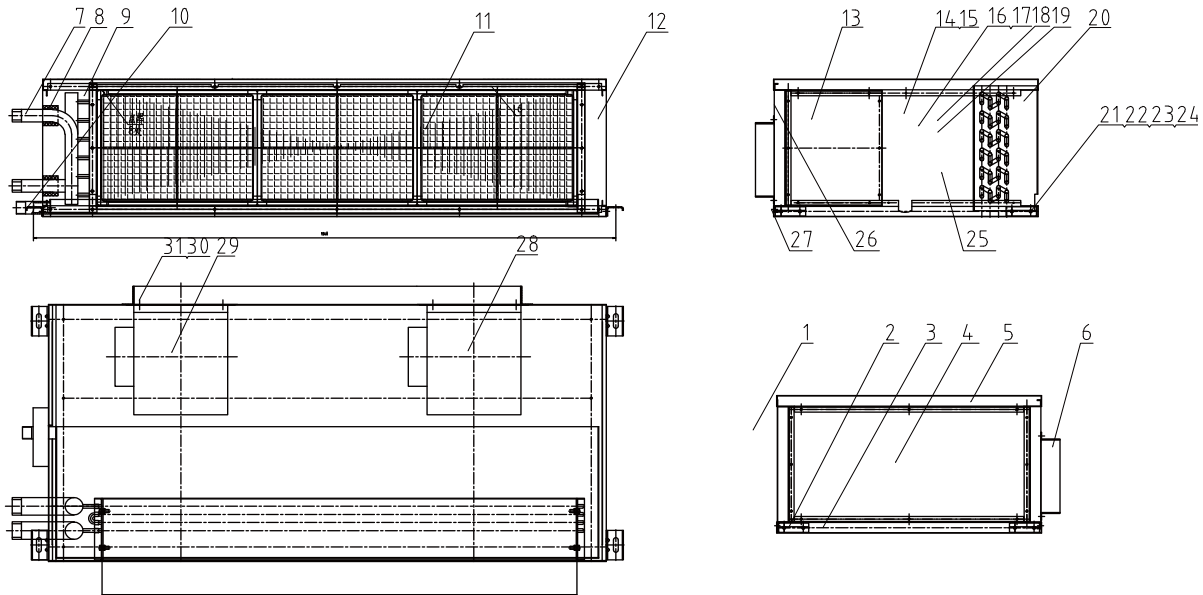


Figure 3

Table 4- 3 rows high static pressure (ST)

No.	Model	W	H	D	E	F	J*K	W1	K	Weight(kg)
		(mm)								
1	VCFI204	1000	93.5	179	274	452	288*820	1050	44	62
2	VCFI238	1130	93.5	179	314	502	288*950	1180	44	73
3	VCFI272	1300	93.5	179	350	600	288*1120	1350	44	85
4	VCFI306	1300	93.5	179	350	600	288*1120	1350	44	93
5	VCFI340	1490	93.5	179	400	690	288*1310	1540	44	107

Table 5- 4 rows high static pressure (ST)

No.	Model	W	H	D	E	F	J*K	W1	K	Weight(kg)
		(mm)								
1	VCFI204	1000	81	191.3	274	452	288*820	1050	66	65
2	VCFI238	1130	81	191.3	314	502	288*950	1180	66	76
3	VCFI272	1300	81	191.3	350	600	288*1120	1350	66	87
4	VCFI306	1300	81	191.3	350	600	288*1120	1350	66	95
5	VCFI340	1490	81	191.3	400	690	288*1310	1540	66	110

Table 6- 4 rows high static pressure (DC)

No.	Model	W	H	D	E	F	J*K	W1	K	Weight(kg)
		(mm)								
1	VCFI204	1000	81	191.3	274	452	280*820	1050	66	65
2	VCFI238	1130	81	191.3	314	502	280*950	1180	66	76
3	VCFI272	1300	81	191.3	350	600	280*1120	1350	66	87
4	VCFI306	1300	81	191.3	350	600	280*1120	1350	66	95
5	VCFI340	1490	81	191.3	400	690	280*1310	1540	66	110

# Wiring at site

Model

**Low Static Pressure:**

VCFI051, VCFI068, VCFI102.

**Medium Static Pressure:**

VCFI102, VCFI136, VCFI170,  
VCFI204, VCFI238, VCFI272.

Model

**Low Static Pressure:**

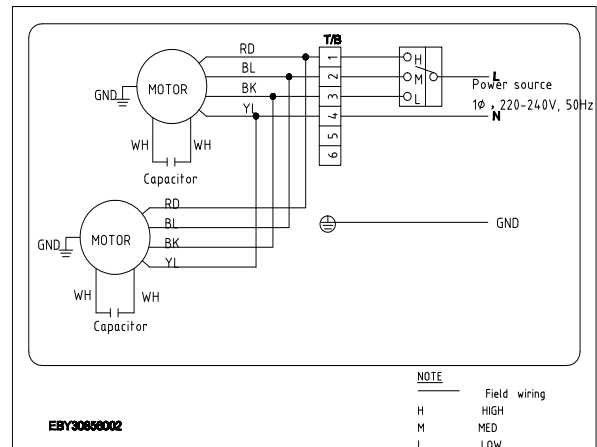
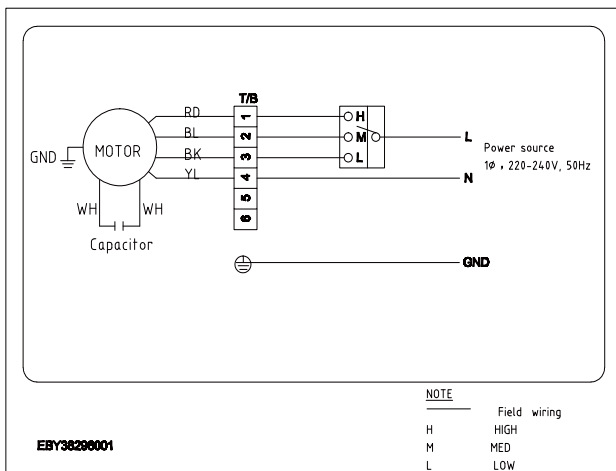
VCFI136, VCFI170, VCFI204.

**Medium Static Pressure:**

VCFI304.

**High Static Pressure:**

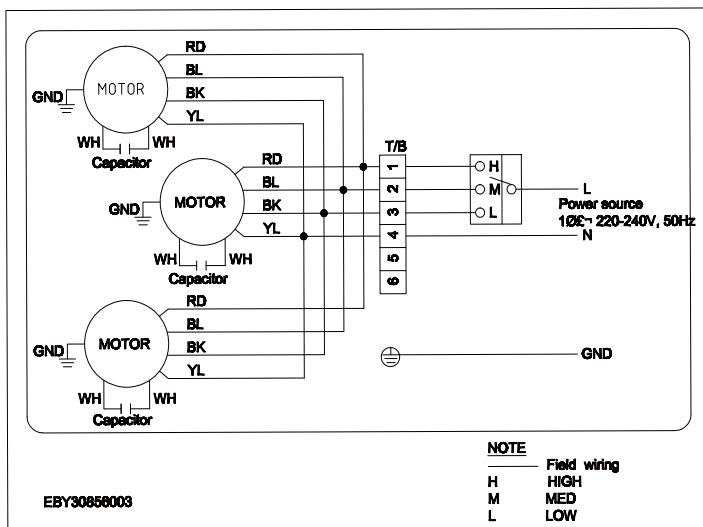
VCFI204, VCFI238, VCFI272,  
VCFI306, VCFI340.



Model

**Low Static Pressure:**

VCFI238





The same breath,  
energy saving together.

Vicot Air Conditioning Co.,Ltd  
Add: Hongdu Road, Dezhou Economic Zone, Shandong Province  
Post Code: 253022  
Tel: 86-531-8235 5752/5750  
Email: [export@vicot.com.cn](mailto:export@vicot.com.cn)  
Fax: 86-531-8235 7911  
[www.vicot.com.cn](http://www.vicot.com.cn)